

## M99 LMS PERIOD II RESTAURANT COMPOSITE (RCO)

**D1811**

**12 built 1932; withdrawn 1959-1962; none preserved**

**68'**

These etched sides can be built into a complete coach using products from our range as supplied in our full kits. Please refer to the panel opposite. Should you prefer they can also be used for scratchbuilding.

Restaurant composite coaches were used in the shorter expresses or through portions of longer formations where the limited number of meals required did not warrant the use of a full kitchen and open diners. The vehicles were 'neutral', with the class and seating being adjusted by staff to accommodate the demand.

### Sample formations

<i>The Lancastrian</i> 1934	BTK/TO/TO/CK/FO/CK/CK/BFK/RC/TO/TK/TK
Carlisle - Perth 1938	BCK/RC/TO/BTK/BG/BG/POS
Glasgow - Oban 1938	BCK/TK/BTK/TO/TO/RC/FO/BTK
Granite City 1949	TK/TK/BTK/TK/CK/CK/RC/TO/CK/BTK/BG

### Running numbers

228-239 built at Derby

### Livery

The LMS coach body colour was maroon. Ends were also maroon with the detail picked out in black, but from the end of 1936 they were painted all over black. Fully panelled livery was applied with lining in black and gold leaf, later yellow. On flush sided coaches the lining was laid out as though the coach was panelled (so called 'pseudo-panelling'); sometimes the verticals were at the edges of the window frames, otherwise they were on the centre of the panel between them. Simple lining was adopted at the beginning of 1934. In 1946 the yellow was replaced with a much lighter shade referred to as 'straw'. From 1949 coaches received BR crimson and cream. From 1956/7 BR maroon with simple lining was adopted.

Number and lettering styles, insignia and class designation placement did not always follow the changes of livery. For further information on a particular vehicle at a specific date please consult references and photographs.

Early coaches received lead grey roofs with black between the cantrail and rainstrip. All steel and later flush sided coaches had a metallic aluminium paint finish. However, in service the roof quickly took on an overall muddy grey colour.

Underframes and bogies were finished in black.

### Further information

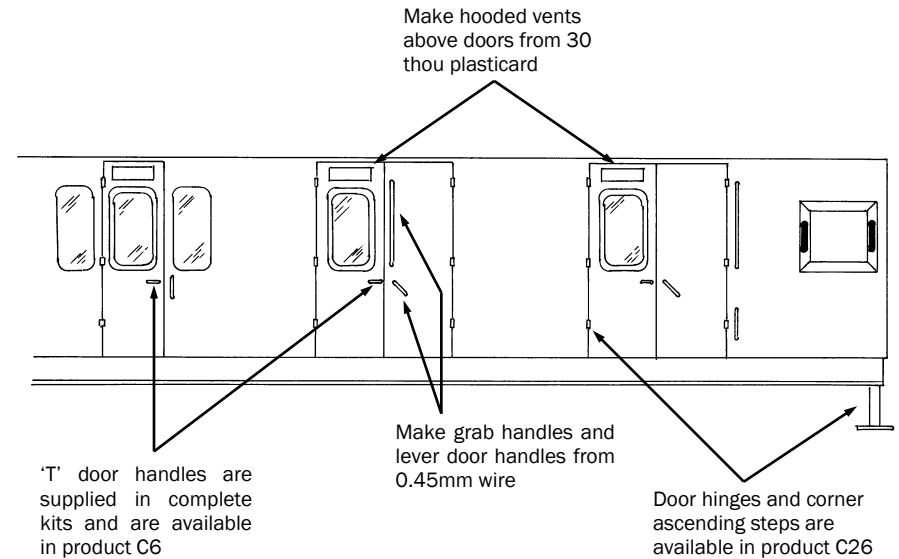
LMS Standard Coaching Stock Vol. II	Jenkinson & Essery	O.P.C.
Historic Carriage Drawings	Jenkinson & Campling	Ian Allan
Passenger Train Formations		
1923-1983 LMS LM Region	Clive S Carter	Ian Allan
British Railways Pre-Nationalisation Coaching Stock Vol. 2	H Longworth	O.P.C.

COMET MODELS components required to complete this carriage are:

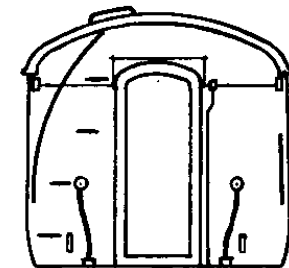
Underframe	UM1	Bogies	BM1
Underframe castings	UCM1	Roof castings	RC1+4
Ends	EM3	End castings	ECM3
Roof	C10	Interior	INT4
Gas cylinders	C18		

### Scrap views showing additional detailing of sides and ends

(not all details may apply to this diagram)

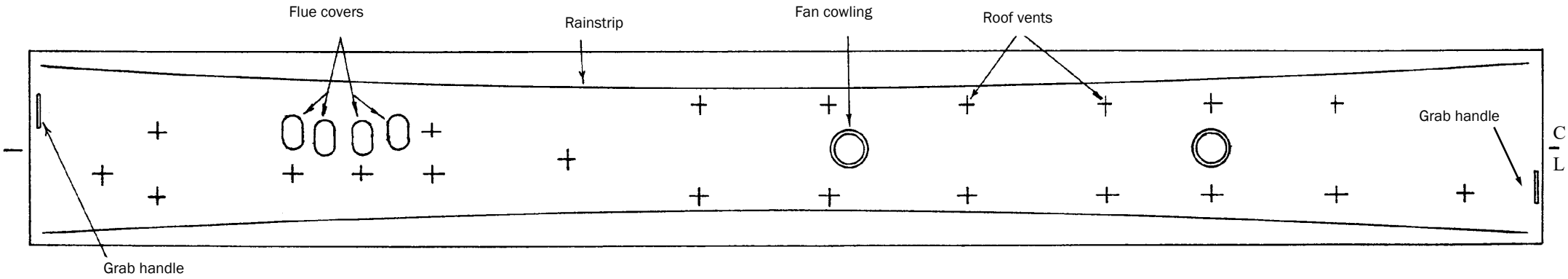


The ends are identical except that the train alarm gear is only fitted at the end shown on the roof plan overleaf

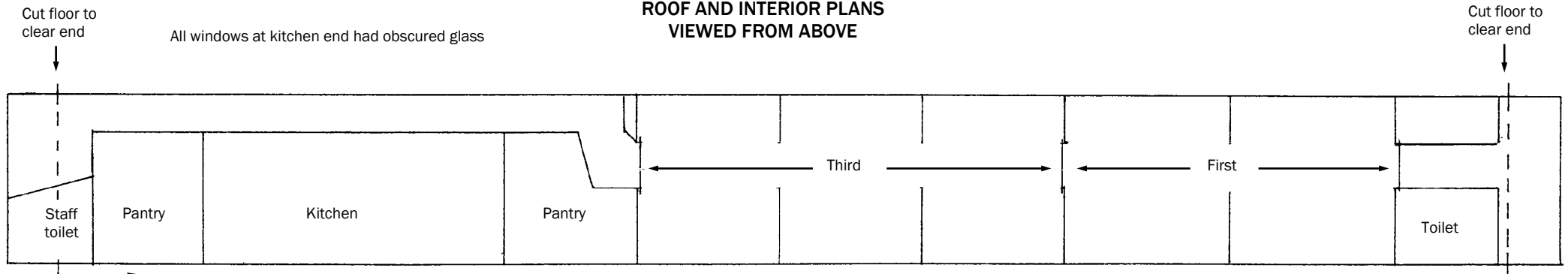


D1811

Train alarm gear this end



**ROOF AND INTERIOR PLANS VIEWED FROM ABOVE**



**UNDERFRAME VIEWED FROM BELOW**

