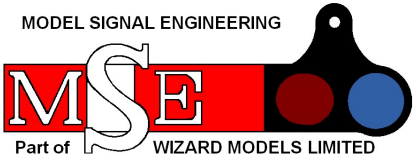


MODEL SIGNAL ENGINEERING

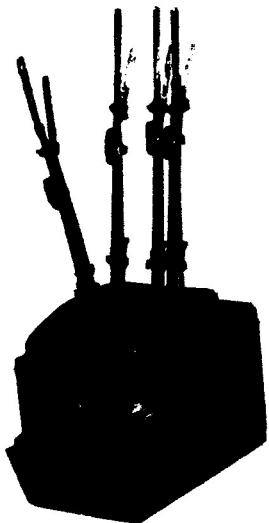


Part of WIZARD MODELS LIMITED
 PO BOX 70 BARTON upon HUMBER DN18 5XY
 01652 635885 www.wizardmodels.ltd

SCALE	CODE	
7mm	LS09	

Four Lever Ground Frame

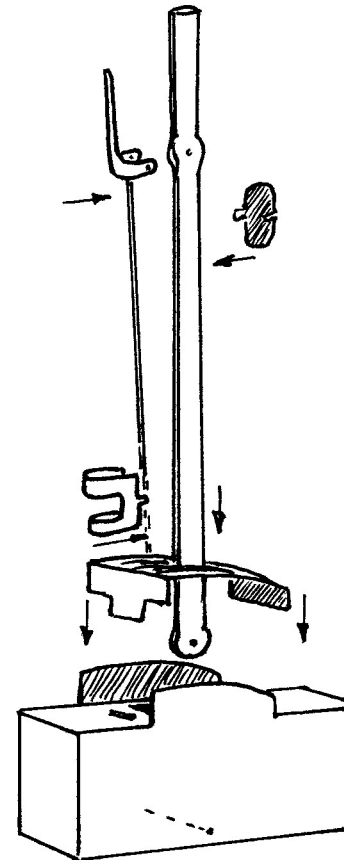
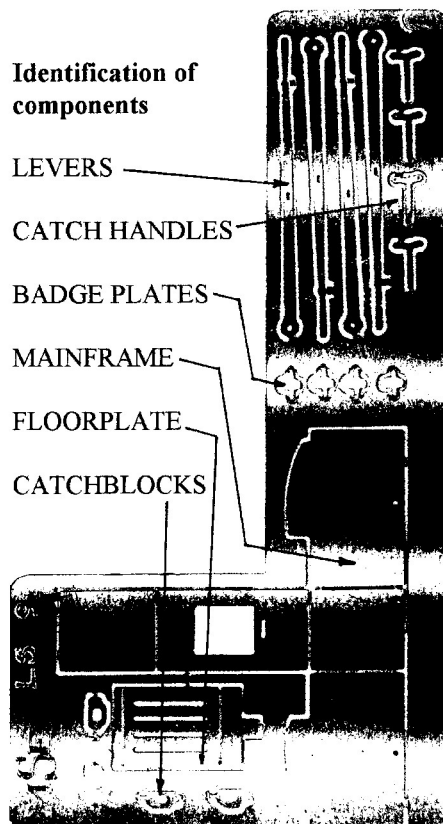
[cosmetic]



for goods yards
 release crossovers
 remote points and crossings

Etched brass kit for soldered construction, may be used on its own, in conjunction with a ground frame cabin, or recessed into a timber platform at a station or in the open.

Fully detailed levers, catch handles, catch blocks and number plates. Based upon Sykes and Saxby & Farmer pattern Knee frames, also found in small signal cabins on light railways where limited facilities existed.



ASSEMBLY SEQUENCE

Commence work by removing the mainframe from the fret, folding so that all the half etched lines are inside the resultant box and all is square. The horizontal plate should be flat. Reinforce from below with solder joints.

Curve the floor plate with 4 slots in it, to match the profile of the outer radius of the box just made, fold down the front and back edges, clean off any tags and solder the tab in place.

Complete each lever individually as per the exploded view, prior to fitting into the four slots of the frame and anchoring in place with a wire rod across the base of the box.

Coat the lever tops and the catch handles lightly with solder to retain their brightness, although external frames would soon weather down.

Paint the whole frame black. It is possible that one lever would be blue if a facing point is involved and an end lever may be red if a ground signal is in the signalling diagram.