

W15 GWR COLLETT CORRIDOR BRAKE THIRD (BTK)

Diagram D127

79 built 1938-1941; withdrawn 1964-1966; 1 preserved

61'

These etched sides can be built into a complete coach using products from our range as supplied in our full kits. Please refer to the panel opposite. Should you prefer they can also be used for scratchbuilding.

The Sunshine Stock (also known as 'new type') was introduced in 1936 and entered service on premier expresses such as *The Bristolian* and the *Cheltenham Flyer*. Subsequently they were cascaded into general service. The name derived from the large picture windows on the corridor side. They had end vestibules and a mix of corridor window sizes with 4' wide for 3rd class and 5' wide for 1st class. Sliding vents were provided in some corridor windows.

Sample formations

The Bristolian

07.25 Cheltenham, Swindon, Didcot
Reading, Paddington

BTK/TK/CK/RC/CK/TK or **CK/BTK**

BTK/CK/TK/BTK/CK/BTK/BTK/FK/TK
| Cheltenham | Didcot | Reading |

10.30 Cardiff, Bristol, Bath, Salisbury,
Fareham, Portsmouth

BTK/TK/CK/BTK/BCK
| Pmouth & Ssea | Fareham

12.30 Plymouth, Exeter, Bristol,
Pontypool Road, Hereford,
Shrewsbury, Crewe, Liverpool

BTK/CK/CK/BTK/BCK/BTK²/RC¹/CK²/BTK²/BCK/BCK
Ppool Rd | N'ton Abbot | Plymouth | Ppool Rd
¹ alternating LMS/GWR ² LMS coaches

15.55 Bristol, Weston, Bridgwater
Taunton, Newton Abbot, Kingswear

BTK/CK/BTK/BTK/CK/BTK

18.55 Paddington, Maidenhead,
Reading, Didcot, Oxford

BTK/TK/CK/BTK/TK/FK/BTK
| Oxford | Reading |

Running numbers

1627-1647	built 1938	601-625	built 1939
1649-1657	built 1938	652-675	built 1941

1655-1657 were specially fitted for coupling to Pullman gangways.

Livery

The coaches were painted in chocolate and cream with white roofs and carried the 'shirtbutton' monogram. Droplight frames were in Indian Red (brick red).

The final GWR style appeared from 1943 onwards. The cream panel extended from 7" below the cantrail down to 1½" below the windows. Double lining was applied, the lower waist line being 7" below the upper one. Lining was black and gold, and numbers were in the lining panel at both ends. Roofs were painted grey. The monogram was replaced with the new Coat of Arms in the centre of the panel flanked by the words 'Great' and 'Western'. This was later extended to all coaches built since 1936 which had the double lined waist style.

From 1949 they received BR livery of carmine and cream with gold and black lining. The cream panel was the full height of the windows plus an inch top and bottom. The black line was against the cream. From 1956 they were painted maroon lined gold/black/gold at the waist and black/gold above the windows.

Further information

GWR Coaches 1890-1954
GWR Coaches Vols I & II
GWR Coaches Appendix II
Great Western Way

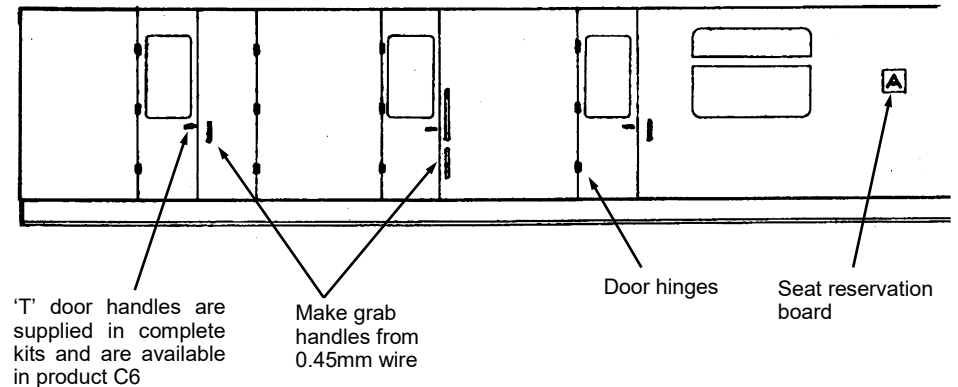
British Railways Pre-Nationalisation Coaching Stock Vol. 1

Harris	David & Charles
J H Russell	O.P.C.
J H Russell	O.P.C.
J N Slinn	H.M.R.S
H Longworth	O.P.C.

COMET MODELS components required to complete this carriage are:

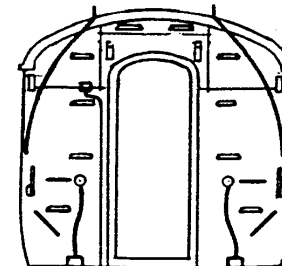
Underframe	UW2	Bogies	BW4
Underframe castings	UCW1	Roof castings	RC5
Ends	EW2	End castings	ECW2
Roof	C10	Interior	INT1

Scrap views showing additional detailing of sides and ends
(not all details may apply to this diagram)

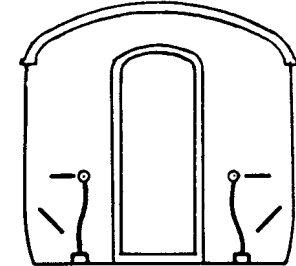


Door hinges, gangway suspension brackets, train alarm gear ears, gangway end covers and solebar ascending steps are available in product C26

End A



End B

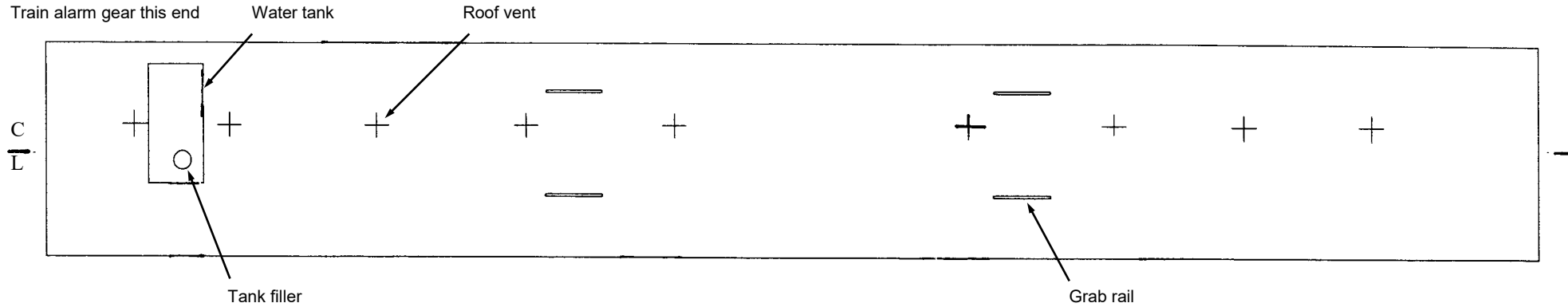


Comet Models is part of Wizard Models Limited, PO Box 70, Barton upon Humber DN18 5XY
Tel 01652 635885, web www.wizardmodels.ltd, e-mail andrew@modelsignals.com

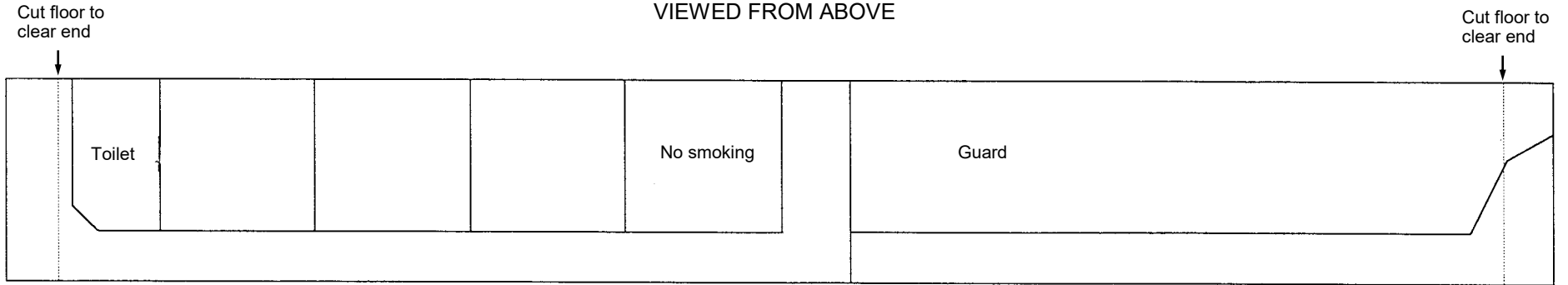
D127

End A

End B



ROOF AND INTERIOR PLANS VIEWED FROM ABOVE



UNDERFRAME VIEWED FROM BELOW

