

MT254

Detailing kit for Bachmann SR N 2-6-0

Includes frame overlays, brake shoes, smoke deflectors, cab door and fall plate, lamp irons, route discs and AWS equipment

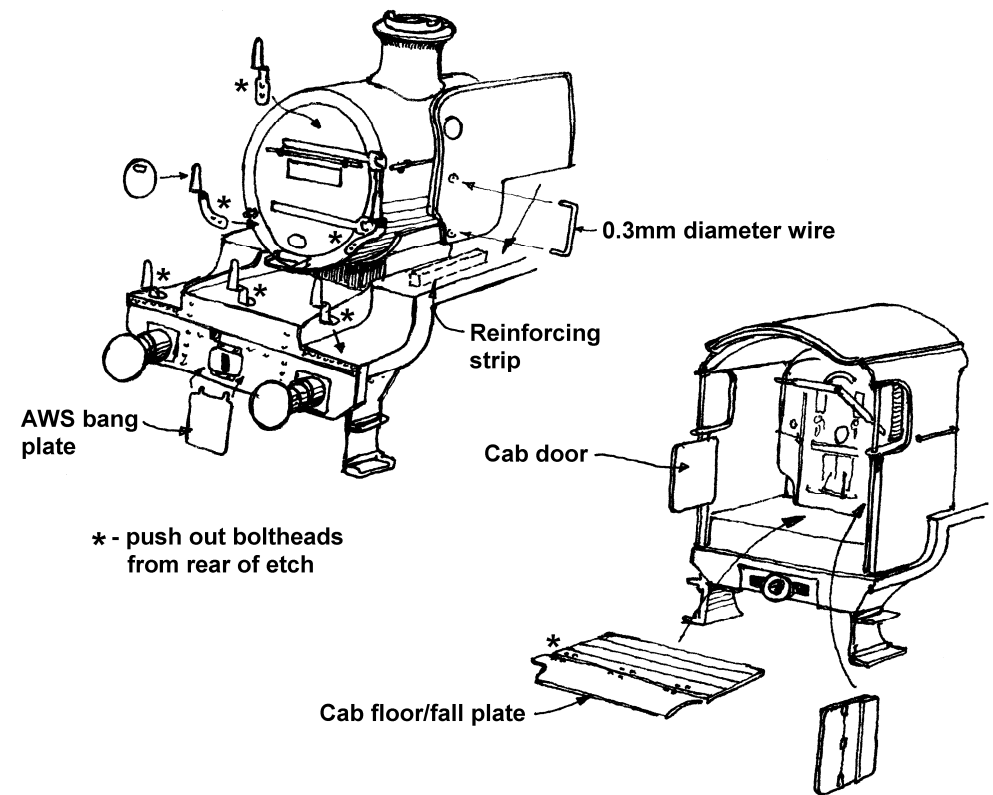
The Bachmann N Mogul body is fundamentally accurate and quite well-detailed. The superstructure detailing parts on this kit are intended as more refined replacements for the factory detail (lamp irons, smoke deflectors, brake shoes) and as supplementary details (frame overlays, AWS equipment, fall plate, cab doors, route discs).

On items marked on the sketch, there are bolt/rivet heads to push out with the tip of a scribe from the rear of the etch.

Attach the new parts with a thick cyanoacrylate adhesive. For positive location of the deflectors, a reinforcing length of plastic strip about 0.020" square is suggested, as shown on the sketch. Form the deflector grab irons from the supplied 0.3mm wire

Solder the two layers of the brake shoes/hangers together, then suspend them hangers from the supplied 0.9mm wire.

AWS equipment was fitted from the late 1950s. The battery box and cylinder locations did vary, so check with photographs before fitting.



Mainly Trains is part of Wizard Models Limited

PO Box 70, Barton upon Humber DN18 5XY

Tel 01652 635885, web www.wizardmodels.ltd,

e-mail andrew@modelsignals.com

© Wizard Models Limited 2020